

## E5 Cam Latch

Zinc · Flush cup wing style · Hand operated · Fixed grip

### Features

- Low profile
- Multiple key code options

### Material

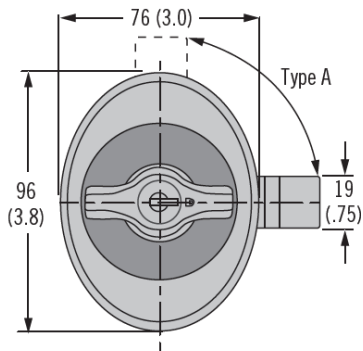
- Zinc alloy, powder coated and steel, zinc plated

### Product Performance

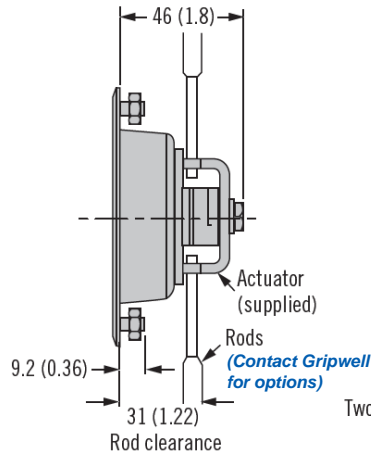
- Maximum static load: 330 N
- Mounting nuts 10-24 UNC (supplied)  
maximum tightening torque: 3 N.m
- Screw maximum tightening torque: 10 N.m



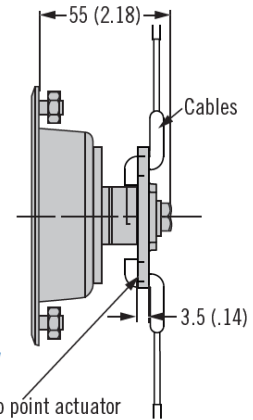
### Single Point



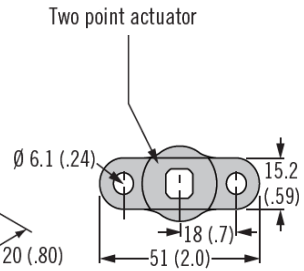
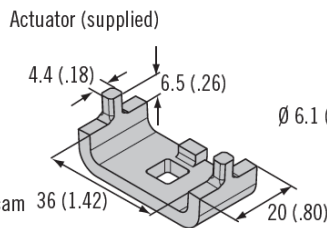
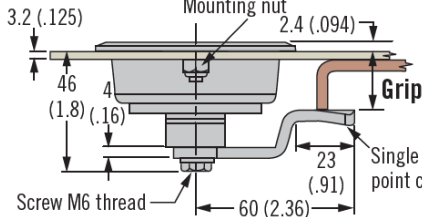
### Two Point (for use with rods)



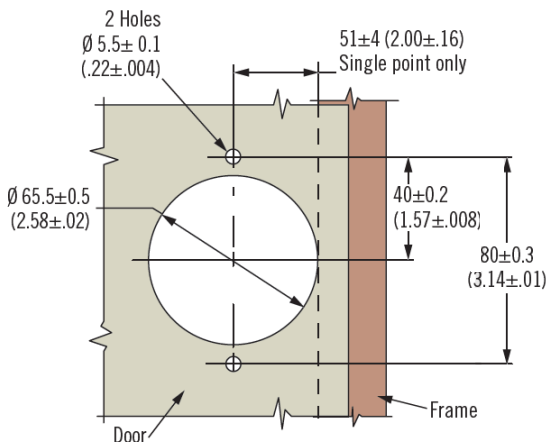
### Two Point Push-to-Close Action (spring-loaded)



### Maximum door thickness



### Type A (reverse frame for type B)

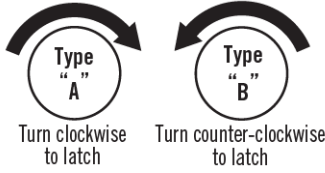


### Notes

Two point push-to-close action: Internal spring causes return of wing knob and actuator to original latched position when wing knob is released after opening. Ideal for use with cables and rotary latches.

Contact Gripwell for lock core and key-choice selection.

**R** Rotation



**Single Point**

- Order latch and cam separately

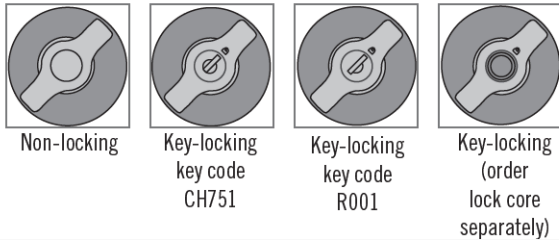
**Two point (for use with rods)**

- Order latch only (two point actuator supplied)

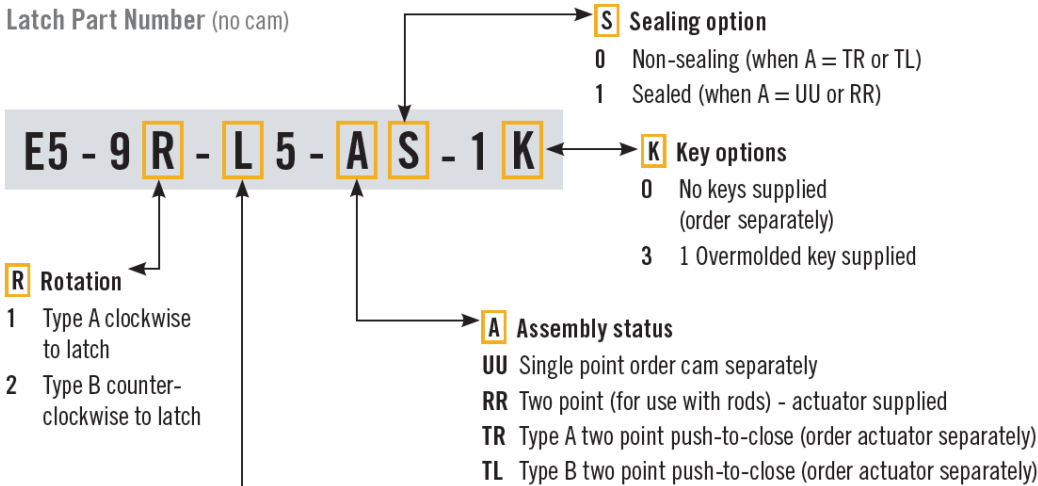
**Two point push-to-close action (spring loaded):**

- Order latch and actuator separately
- Actuator part number A5-91-201-11
- May be used with Southco's R4 rotary series latches and cables

**L** Lock Styles



Latch Part Number (no cam)



Cam Part Number Table (order separately from latch)

Grip	Part Number	Grip	Part Number
22.7 (.89)	E5-6603	30.7 (1.21)	E5-6607
24.7 (.97)	E5-6604	32.7 (1.29)	E5-6608
26.7 (1.05)	E5-6605	34.7 (1.37)	E5-6609
28.7 (1.13)	E5-6606	36.7 (1.44)	E5-6610